



Basic+ XS

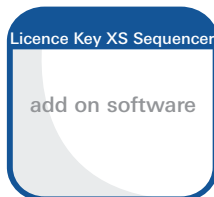
communication  interface





Basic+ XS

I+ME ACTIA thanks you for having chosen our product



Hardware

Product includes



12V/24V Basic+ XS hardware with RS 232 and USB connector cable



API, Drivers & Software

Product includes

on CD

CAT/Basic+ XS (LevelX) RS 232 and USB Driver

LevelX Demos/API Manual

Software "PcCANcontrol" application



About it

Basic+ XS

Basic XS is a communication interface providing data link between a vehicle and a PC.

This interface enables data communication on K- Line and CAN 2.0 B busses.

Designed &

manufactured by

I+ME ACTIA GmbH
Rebenring 33
38106 Braunschweig

Germany

Tel : + 49 (0) 531 38 70 1 0
Fax : +49 (0) 531 38 70 1 88

www.ime-actia.com
mail: info@ime-actia.de

Installation guide



Important before starting

Power supply

1. The Basic+ XS is powered solely via Sub- D from the vehicle. If you use an external power supply for the vehicle or a device under test, make sure that there is a good ground connection between the PC, the vehicle ground and the external device. Otherwise the Basic+ XS may be damaged.

2. Attention:

- Basic+ XS, part number IME3901206, power supply 8..16 V - > **Do not connect to 24 V !**
- Basic+24 XS, part number IME3901208, power supply 8...32 V - > Can be connected to 24 V.



Safety instructions

Please read all safety instructions

- ▶ Do not use the equipment when the environment temperature is higher than +55°C or less than +/- 0°C.
- ▶ Voltage via external power supply: 8..32 V DC.
- ▶ Do not get in contact with fluid.(water, acid, solvent,etc.)
- ▶ Do not drop the equipment.
- ▶ Always unplug equipment from electrical power supply when not in use.
- ▶ To reduce the risk of fire, do not operate equipment in the vicinity of open containers of flammable liquids (gasoline).
- ▶ Variation and deviation of external voltage outside admissible tolerances can damage the equipment.
- ▶ For cleaning the equipment from the outside a damp cloth with mild cleaning agent can be used. Do not use solvent.



Start

Software requirements 1.

You need Internet Explorer, Netscape or other internet browser.

Software installation 2.

Insert CD ROM, the CD starts up automatically. If automatic function is disabled please open the file "index.htm" manually.

Choose the menu item "Software" & go to the required product (make sure to choose the right operating system). Click the file & validate the requested execution.

Once the file is started, follow the installation instructions on the screen. If necessary type in your personal license key or password.

Hardware installation 3.

Plug in the hardware and start the application program.



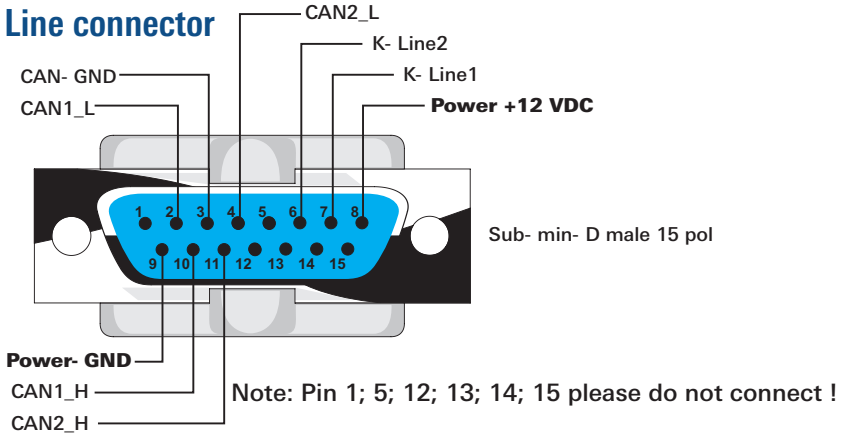
Notes

In case of USB link disfunction please use the [USB bootloader update package](#). This package enables you to update the USB bootloader via the RS232 link of the Basic+ XS. Bootloader update package available on www.ime-actia.de/

If you are writing your own firmware on the Basic+ XS, using the flash memory, the USB link will not function anymore (the bootloader is needed in the flash memory). For further questions, please contact us.



CAN/K- Line connector



Technical Data

- CAN interface: up to 1MBit/s
- PC interfaces: RS232 up to 115kBaud
USB full speed mode (USB 1.1)
- dimension: 150 x 68 x 25 mm
- weight:ca. 200 g
- temp. range: 0 to +55°C
- housing: plastic
- power supply: 8..32 V DC (via Sub- D) for part number IME3901208
8..16V DC (via Sub- D) for part number IME3901206
- power cons.: typ. <100 mA @ 12 VDC
- microcontroller: C165
- memory: 512 kByte RAM (16 Bit)
128 kByte Flash (8 Bit)
512 Byte EEPROM (8 Bit)
- CAN controller: SJA 1000
- CAN1: CAN 2.0B high speed 82C251
- CAN2: CAN 2.0B low speed TJA 1054
- K- Line: 2 ISO9141 type 5 K- Line controlled by microcontroller kernel or direct by the RS232 interface (both K- Line can be controlled by one UART only in parallel) max. sink in current at K- Line 100mA

Consumer notice

The I+ME ACTIA product you have purchased is subject to Directive 2002/96/EC of the European Parliament and the Council of the European Union on waste electrical and electronic equipment (WEEE) and, in jurisdictions adopting that Directive, is marked as being put on the market after August 13, 2005, and should not be disposed of as unsorted municipal waste.



Please utilize our local WEEE collection facilities in the disposition of this product and otherwise observe all applicable requirements.